



## ATD-80340

### Rechargeable LED Pocket Lamp

# Owner's Manual



#### Features

- 1.3-Watt super- bright COB LED
- 3.7 Volt 1000mAh Li-Ion rechargeable battery
- Two settings for varied brightness and run times
- Automatic shut off and overcharge protection prolongs battery life
- Magnetic base swivels 180 degrees
- 360 degree rotating hanging hook
- Versatile 3-in-1 charging system
  - Charge from 120V AC with included wall power plug
  - Charge from 12V DC with included vehicle power plug
  - Charge from USB charging port with included USB cord

#### Specifications

- Main Bulb: 1.3-Watt single strip COB LED
- Low Setting Brightness: 80 lumens
- High Setting Brightness: 150 lumens
- Battery: 3.7V 1000mAh lithium-ion rechargeable
- Run Time: Up to 5-hours (Low Setting) continuous
- Length: 4.75"
- Weight: 0.23 lbs.

#### Operating instructions

- Before use, plug the unit into any 110-120V AC power source, 12V DC power source or 5V DC USB port and let unit fully charge until the green indicator over the Mini-USB socket turns on.
- Charge this light every month if not in constant use, and after each use, if it is used often to ensure longevity.
- Press the switch at top of the light: once for bright light, twice for dim light, three times to turn off.

#### Cautions

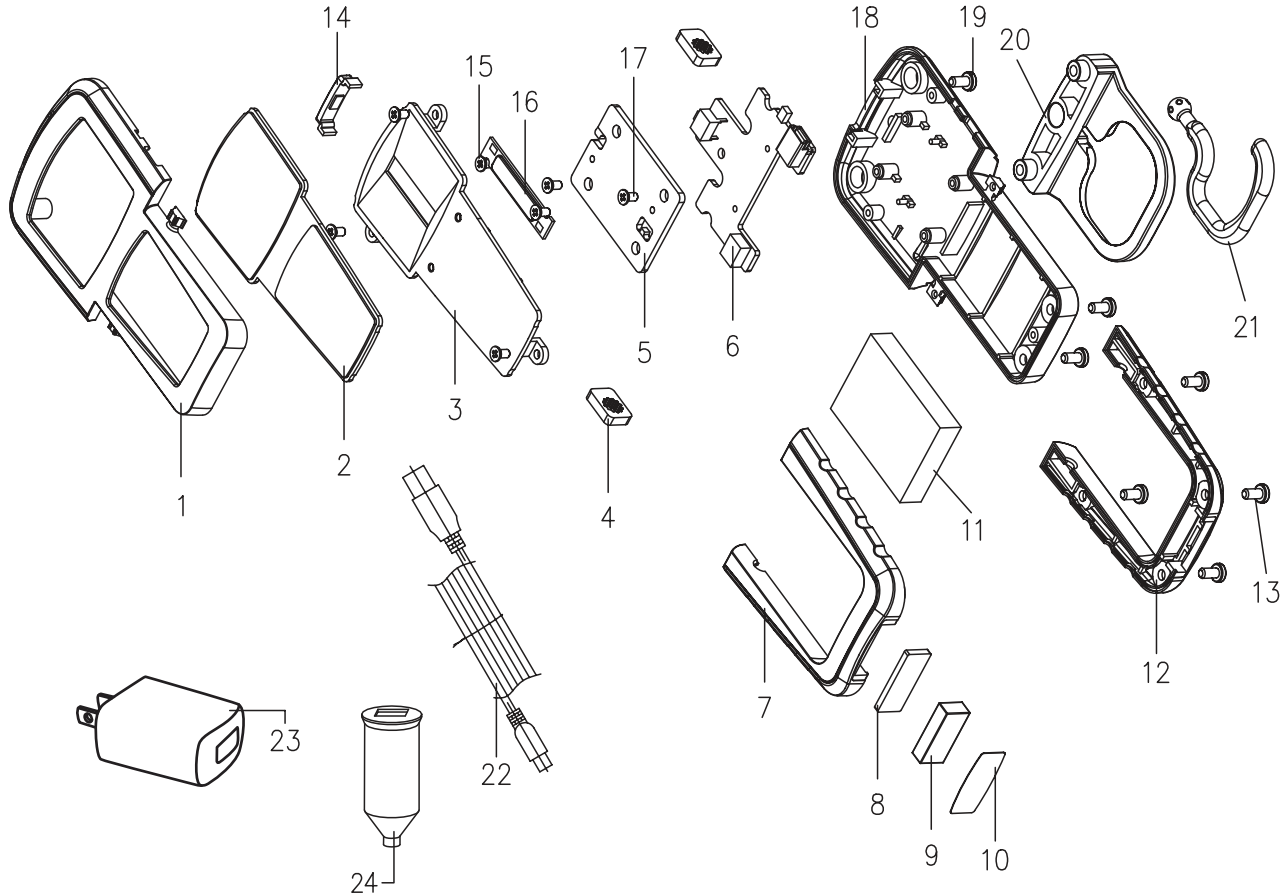
- DO NOT use in or around tubs, showers, sinks, pools, hot tubs, or in a wet environment
- Use only the recommended voltage and frequency requirements
- Keep out of reach of children
- Do not operate light with wet hands.
- Keep light away from hot objects.

#### **▲ WARNING ▲**

**WARNING!** THIS PRODUCT CONTAINS CHEMICALS, INCLUDING LEAD, KNOWN TO THE STATE OF CALIFORNIA TO CAUSE CANCER, BIRTH DEFECTS OR OTHER REPRODUCTIVE HARM. **WASH HANDS AFTER HANDLING.**

# SABER®

## ATD-80340



| ITEM# | ORDERING PART# | PART DESCRIPTION    |
|-------|----------------|---------------------|
| 1     | PRT80340-01    | FRONT HOUSING       |
| 2     | PRT80340-02    | TRANSPARENT COVER   |
| 3     | PRT80340-03    | REFLECTOR           |
| 4     | PRT80340-04    | GEAR                |
| 5     | PRT80340-05    | HEAT SINK           |
| 6     | PRT80340-06N   | SWITCH BOARD        |
| 7     | PRT80340-07-12 | STAND & MAGNET ASSY |
| 8     | PRT80340-07-12 | STAND & MAGNET ASSY |
| 9     | PRT80340-07-12 | STAND & MAGNET ASSY |
| 10    | PRT80340-10    | MAGNET STICKER      |
| 11    | PRT80340-11    | LI-ION BATTERY      |
| 12    | PRT80340-07-12 | STAND & MAGNET ASSY |

| ITEM# | ORDERING PART# | PART DESCRIPTION |
|-------|----------------|------------------|
| 13    | PRT80340-13    | SCREW            |
| 14    | PRT80340-14    | BUTTON           |
| 15    | PRT80340-15    | SCREW            |
| 16    | PRT80340-16    | COB LED          |
| 17    | PRT80340-17    | SCREW            |
| 18    | PRT80340-18    | BACK HOUSING     |
| 19    | PRT80340-19    | SCREW            |
| 20    | PRT80340-20    | HOOK BASE        |
| 21    | PRT80340-21    | HOOK             |
| 22    | PRT80304-27    | USB CORD         |
| 23    | PRT80304-22    | AC ADAPTOR       |
| 24    | PRT80304-31    | CAR ADAPTOR      |